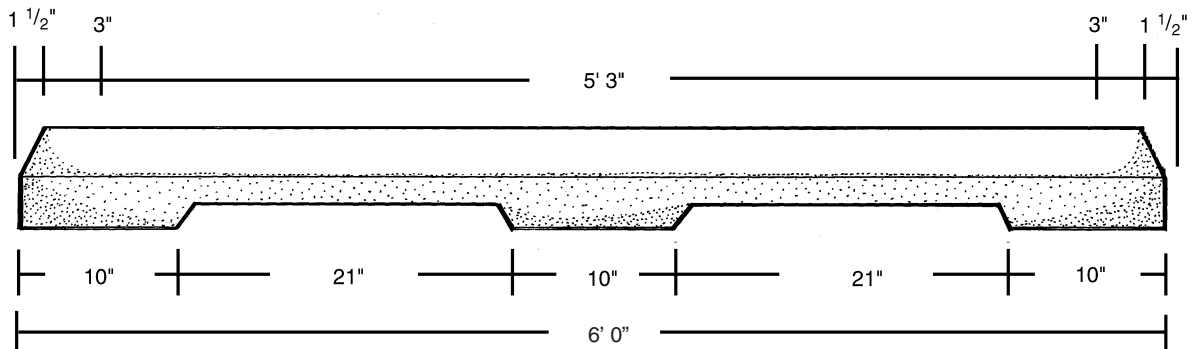




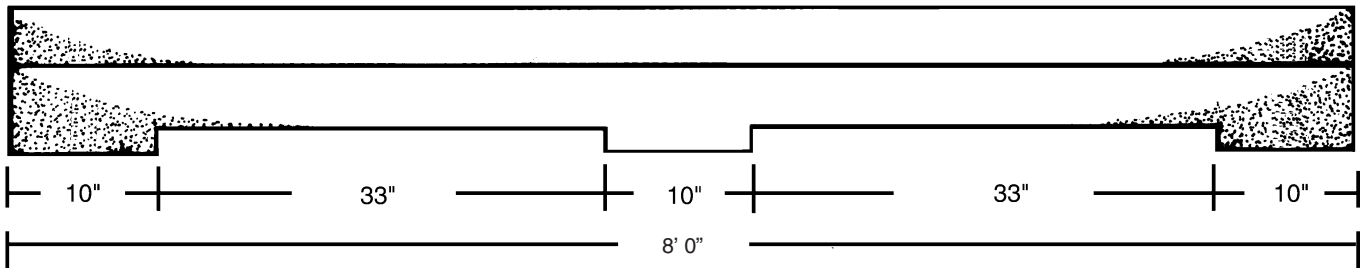
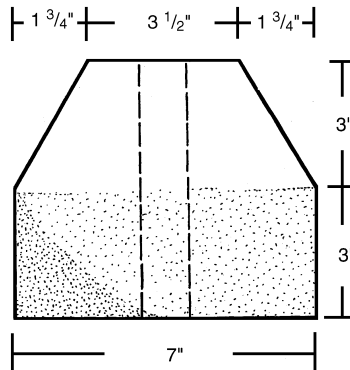
Parking Lot Bumpers

127 Squankum - Yellowbrook Rd.
 Farmingdale, N. J. 07727
 PHONE: 732-938-2334 FAX: 732-919-0918
 www.stonexonline.com
 Email: info@stonexonline.com



CAR BUMPER

Reinforced with two #4 bars
 4,000 PSI concrete
 Anchor pins: two 5/8" x 16" smooth rods



TRUCK BUMPER

Reinforced with two #6 bars
 4,000 PSI concrete
 Anchor pins as required

