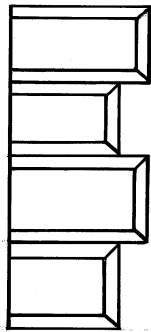


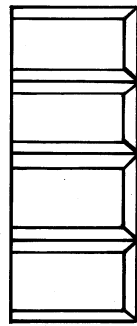
Quoins

Quoins: Dressed concrete stones at the corners of buildings. Placed in alternating or stacked pattern.

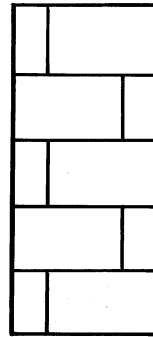
127 Squankum - Yellowbrook Rd.
Farmingdale, N. J. 07727
PHONE: 732-938-2334 FAX: 732-919-0918
www.stonexonline.com
Email: info@stonexonline.com



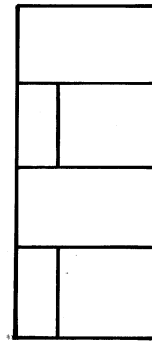
One piece alternating with chamfer



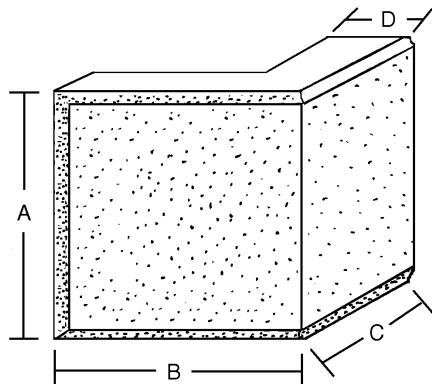
One piece stacked with chamfer



Two piece alternating no chamfer

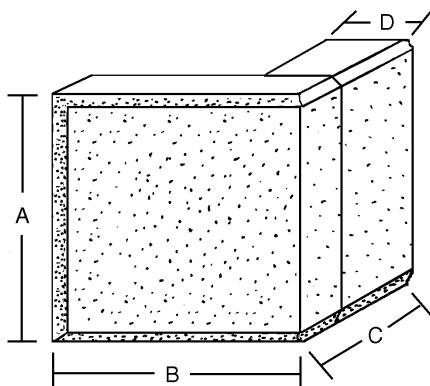


Two piece stacked no chamfer



One Piece Quoin

A	B	C	D	Chamfered Edges
15 5/8"	12"	18"	4 1/2"	YES
15 5/8"	16"	16"	4 1/2"	YES
15 5/8"	12"	18"	4"	NO
15 5/8"	16"	16"	4"	NO



Two Piece Quoin

A	B	C	D	Chamfered Edges
15 5/8" or 12 3/4"	12"	18"	4 1/2"	YES
15 5/8" or 12 3/4"	16"	16"	4 1/2"	YES
15 5/8" or 12 3/4"	12"	18"	4"	NO
15 5/8" or 12 3/4"	16"	16"	4"	NO